

## CNV200 TVI/AHD to HDMI, VGA & CVBS

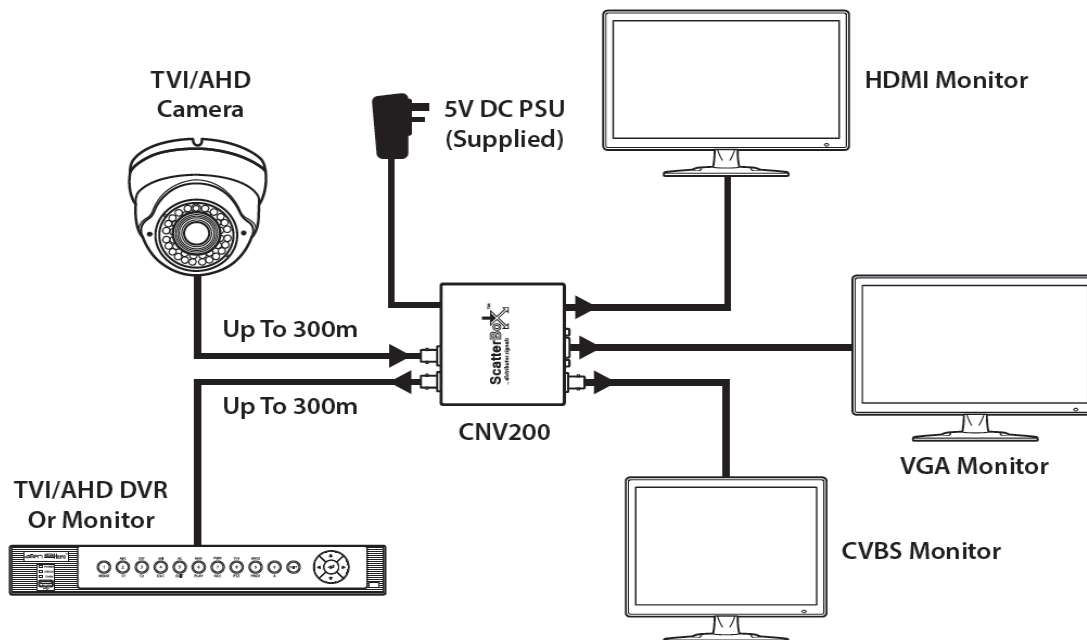
This converter allows you to connect a TVI or AHD camera to a monitor or recorder. The TVI or AHD input is converted and split into HDMI, VGA and CVBS switchable outputs.

The converter can be used on cable runs up to 300 metres long and there is also a TVI/AHD loopthrough with a built-in repeater to boost and send the signal another 300 metres.

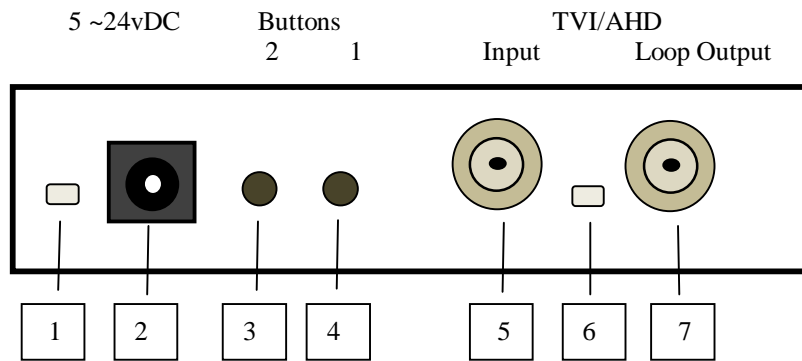


The CVBS output provides a simple way of integrating new equipment into older systems. For more modern systems both the VGA and HDMI outputs support 1080p. The compact unit can be wall mounted for a professional installation next to the monitor or recording equipment.

### How It Works

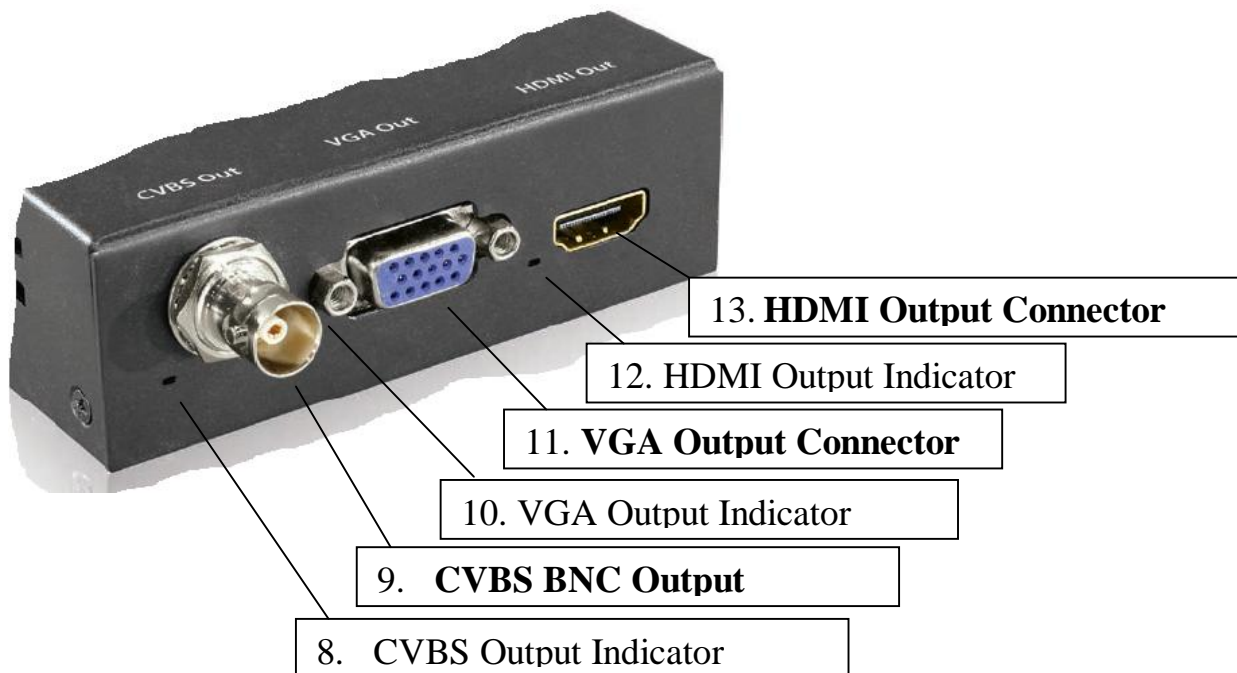


**Input Panel Description**



- |   |                               |
|---|-------------------------------|
| 1. Power Indicator  | 2. Power Input                |
| 3. Switch for resolution & output (See switching details below) | 5. TVI/AHD BNC input          |
| 4. Switch to HDMI/CVBS/VGA output                               | 7. TVI/AHD loopthrough output |
| 6. TVI/AHD input indicator                                      |                               |

**Output Panel Description**



### Switching for various resolutions using different outputs

1. Press Button 1 to switch to HDMI output and then press Button 2 to switch between 1080P@ 60Hz and 720P@60Hz
2. Press Button 1 to switch to VGA output and then press Button 2 to switch between NTSC and PAL.
3. Press Button 1 to switch to VGA and then press Button 2 for different resolution. (TVI to VGA maximum resolution is 1920x1080). Automatic frequency conversion and resize can be selected by pressing Button 2 from resolution list in order shown: 800x600/6Hz, 1024x768/60Hz, 1280x720/60Hz, 1280x1024/60Hz, 1360x768/60Hz, 1440x900/60Hz, 1600x1200/60Hz, 1680x1050/60Hz and 1920x1080/60Hz.

#### Features

- Switchable HDMI, VGA & CVBS Output
- Wall Mountable
- 1080p HDMI & VGA Outputs
- Use on cable runs up to 300m
- TVI/AHD Loophthrough with built-in repeater

#### Specification

FUNCTION	SPECIFICATION
Inputs	1xTVI/AHD (BNC)
Loophthrough / Repeaters	1xTVI/AHD (BNC)
Outputs	1x CVBS (BNC) / 1x HDMI / 1xVGA
Supported Resolutions	720p (25 / 30 / 50 / 60HZ) / 1080p (25 / 30Hz)
HDMI Output Resolution	720p @ 60Hz / 1080p @60Hz
VGA Output Resolution	800x600 / 1024x768 / 1280x720 / 1280x1040 / 1360x768 / 1440x900 / 1600x1200 / 1680x1050 / 1920x1080
Power	5V DC (PSU Supplied)
Consumption	410mA
Dimensions	121 x 94.2 x 31mm



WEE/CG0783SS

This symbol on the products and/or accompanying documents means that used electronic equipment must not be mixed with general household waste. For treatment, recovery and recycling please return this unit to your trade supplier or local designated collection point as defined by your local council.

*All specifications are approximate. Kovert.com reserves the right to change any product specification or features without notice. Whilst every effort is made to ensure that these instructions are complete and accurate, kovert.com cannot be held responsible in any way for any losses, no matter how they arise, from errors or omissions in these instructions, or the performance or non-performance of the camera or other equipment that these instructions refer to.*